

GHH RAND®

CD42S Jet – Oil free airend for jet starter applications

The CD42S Jet is a single stage, gear driven and oil-free screw compressor block, which is specially designed for Jet Starter applications.

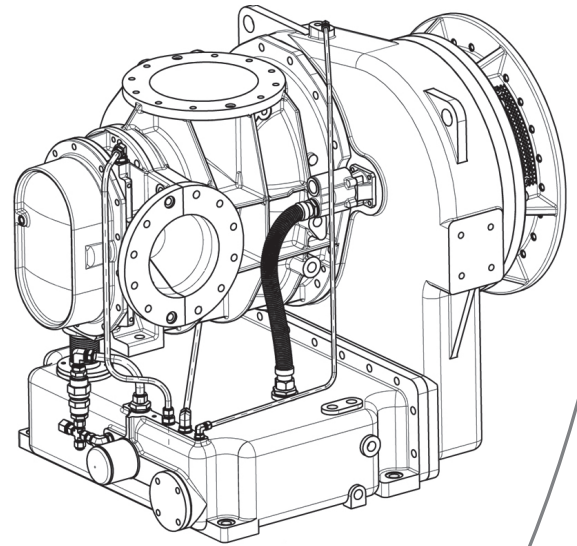
Operating Range

Parameters	Units	Min	Max
Power	kW / hp	68 / 92	489 / 655
Discharge Pressure, abs.	bar / psi	2 / 29	4 / 58
Volume Flow	m ³ /h / cfm	2210 / 1301	6758 / 3978

Medium: Air, Inlet temperature 20°C/68°F, Inlet pressure 1 bar(a)/14.5 psi(a), RH: 60%

Technical Data

Parameters	Units	Data
Length	mm / in	1117 / 44
Width	mm / in	962 / 37.8
Height	mm / in	1000 / 39.3
Weight	kg / lbs	1200 / 2646



GHH RAND recommends:



- Maximize life and efficiency with Ultralube or Ultralube F (food grade)
- Ask your sales rep. for details

Ingersoll-Rand Trading GmbH
Max-Planck-Ring 27 • 46049 Oberhausen • Germany
Phone +49 (0) 208 9994-0 • Fax +49 (0) 208 9994-111
industrial-sales@ghhrand.com • www.ghhrand.com